

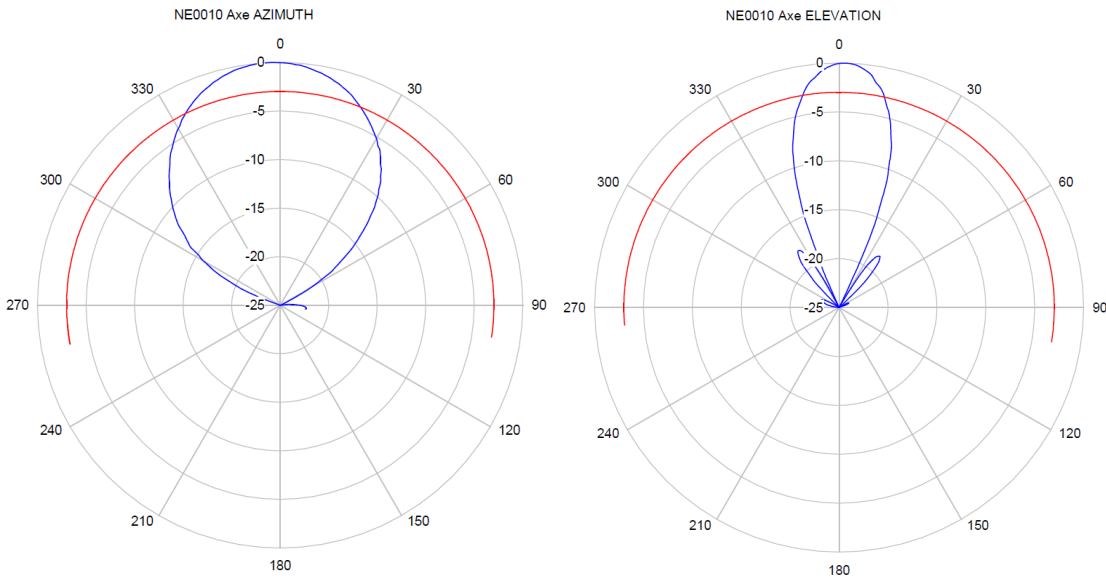
NE0010-H-0 S Band Antenna Directional 14dBi



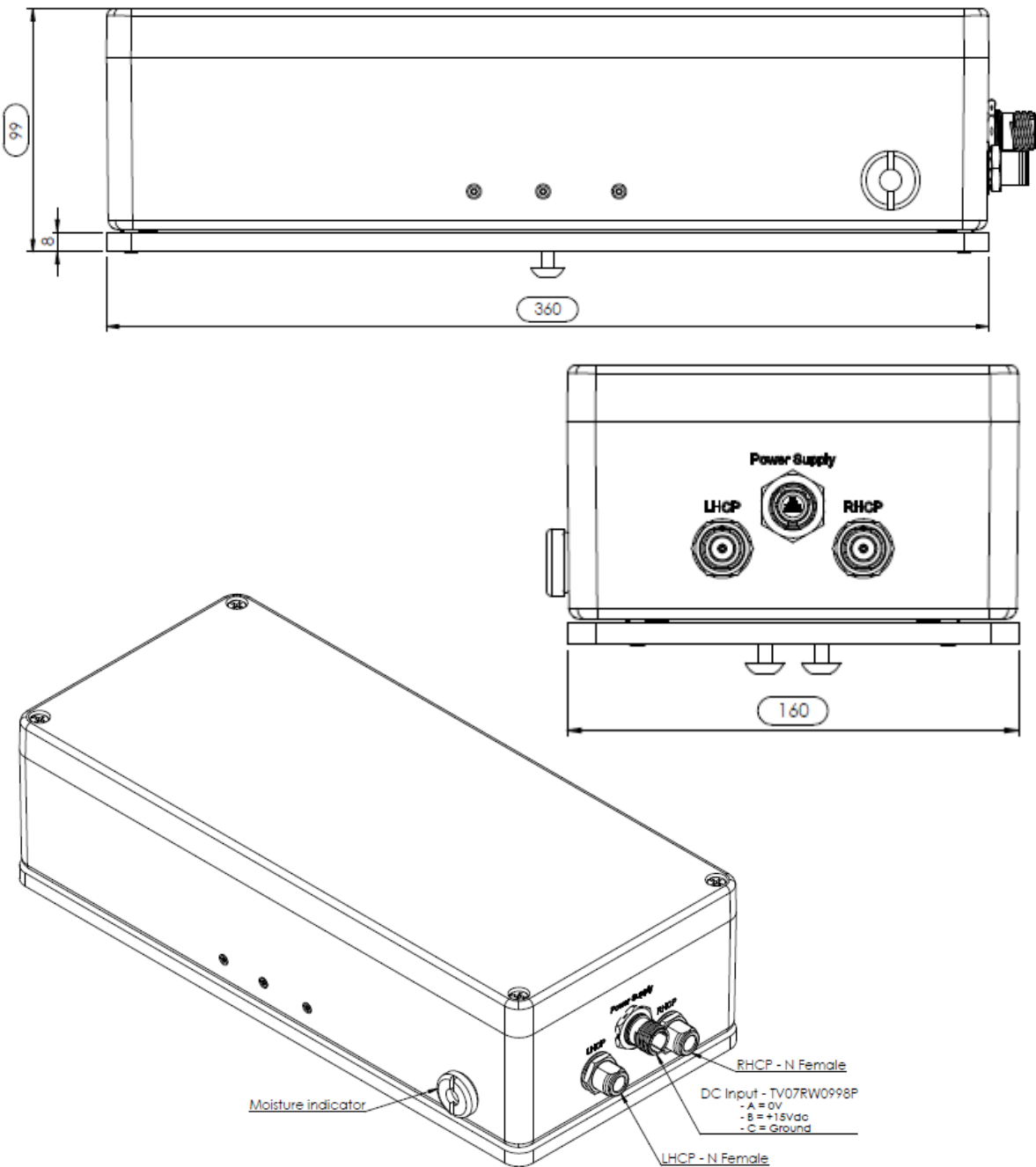
Specifications

RF specification	
Frequency range	2200-2400 MHz with filter + amplifier
Max input level	10 dBm
Amplifier gain	26 dB
Dipole Gain	14 dBi typ.
Polarization	RHCP or LHCP
Radiation pattern	40° @ -3dB in Azimut 20° @ -3dB in Elevation
Input impedance	50 Ohms
VSWR	< 2:1
Mechanical & Environmental specifications	
Dimensions	L: 360mm, W: 160mm, H: 92mm
Weight	3 kg
Connector	N female
Temperature	-30°C to +70°C
Protection	IP66
Electricals specifications	
Power supply	15V +/-2V

Radiation pattern



Mechanical drawing



HYPTRA

7 Route de Basly
14400 Tailleville

Téléphone : 02 50 30 80 14
Email: Hyptra@hyptra.com