

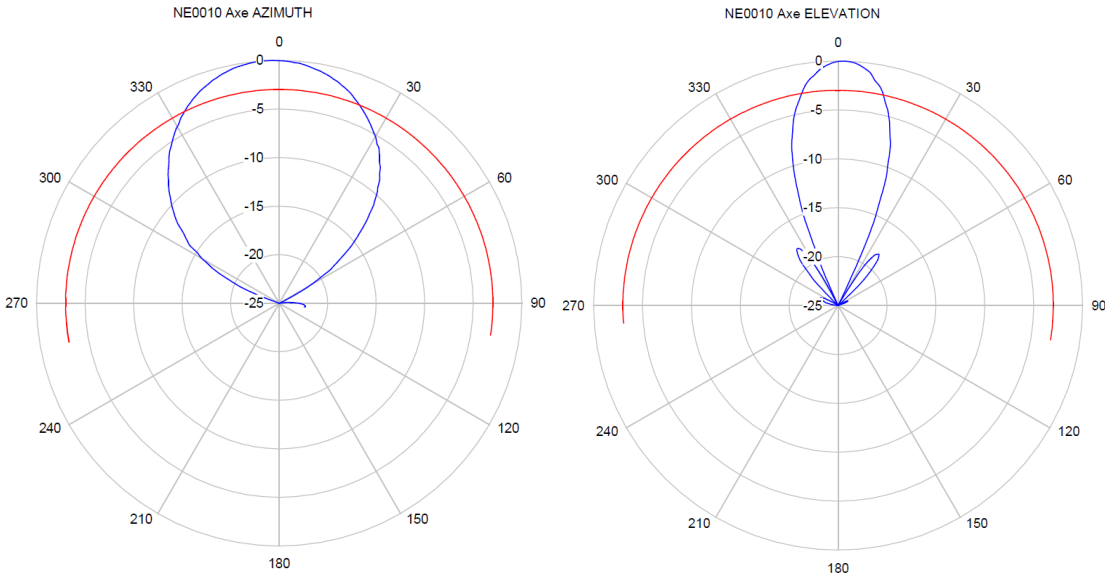
# NE0010-J-0 S Band Antenna Directional 14dBi



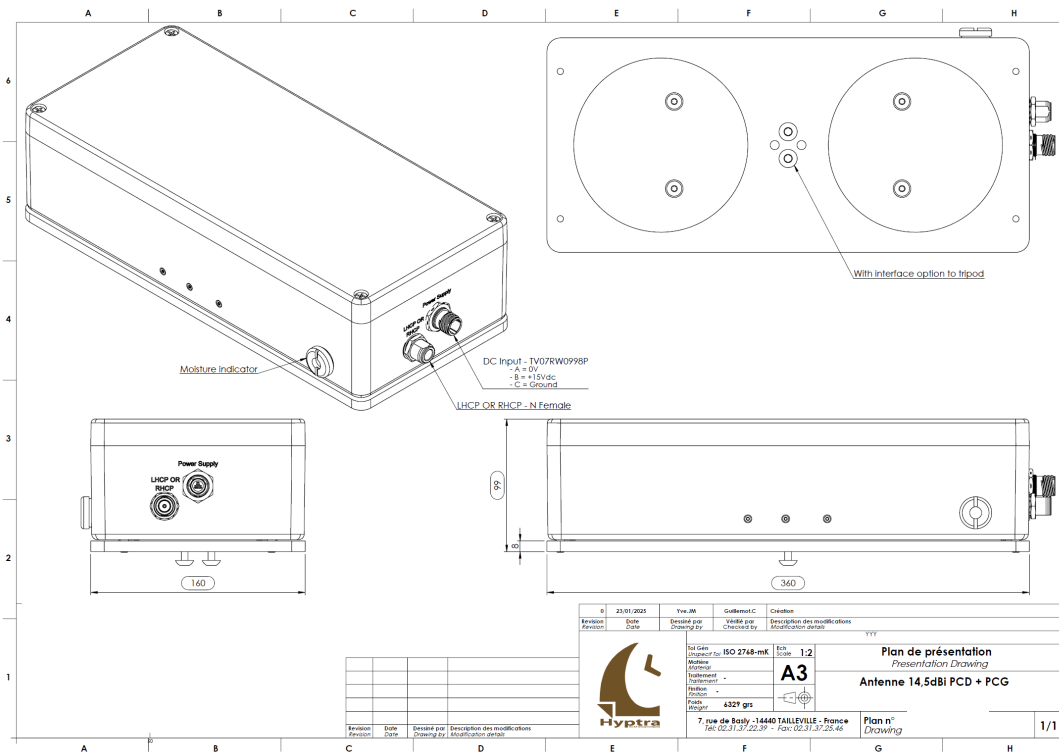
**Specifications**

<b>RF specification</b>	
Frequency range	2200-2400 MHz with filter+amplifier
Max input level	10 dBm
Amplifier gain	26 dB
Dipole Gain	14 dBi typ.
Polarization	RHCP or LHCP
Radiation pattern	40° @ -3dB in Azimut 20° @ -3dB in Elevation
Input impedance	50 Ohms
VSWR	< 2:1
<b>Mechanical &amp; Environmental specifications</b>	
Dimensions	L: 360mm, W: 160mm, H: 92mm
Weight	3 kg
Connector	N female
Temperature	-30°C to +70°C
Protection	IP66
<b>Electricals specifications</b>	
Power supply	15V +/-2V

# Radiation pattern



# Mechanical drawing



# PIN Out « Power supply connector »

N° of PIN TV07RW0998P	I/O	Designation	Observation
A	I	0V DC	0V DC Power input (For Amplifiers)
B	I	15V DC	15V DC Power input (For Amplifiers)
C	I		Ground

**HYPTRA**

7 Route de Basly  
14400 Tailleville

Phone : 02 50 30 80 14  
Email: Hyptra@hyptra.com