

NE0022-A S Band Antenna Zenithal 3 dBi

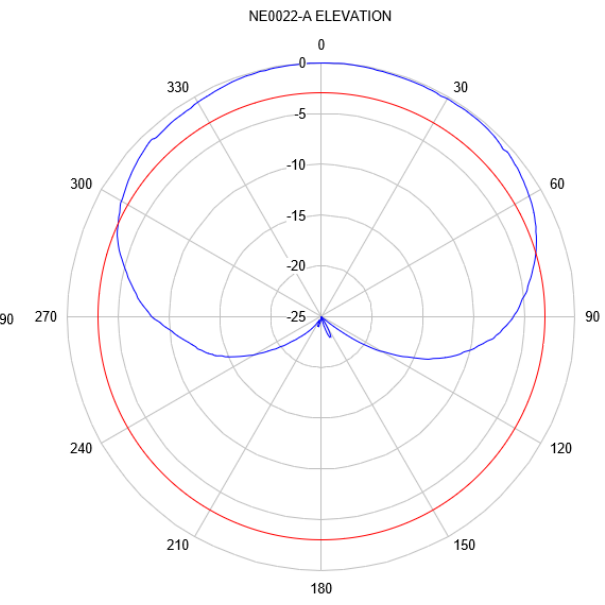
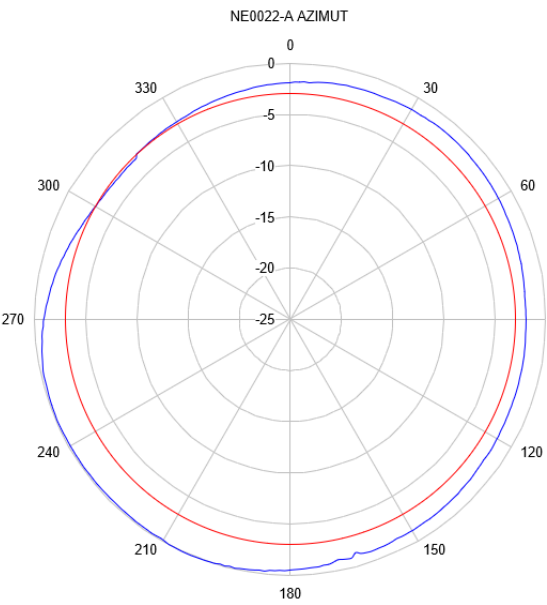


References:
RHCP: NE0022-A-0
LHCP: NE0022-A-A

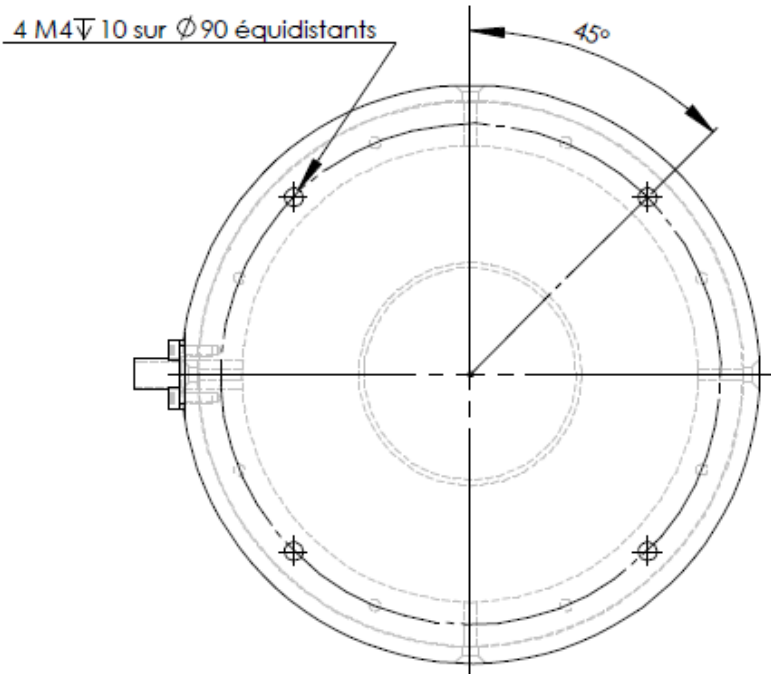
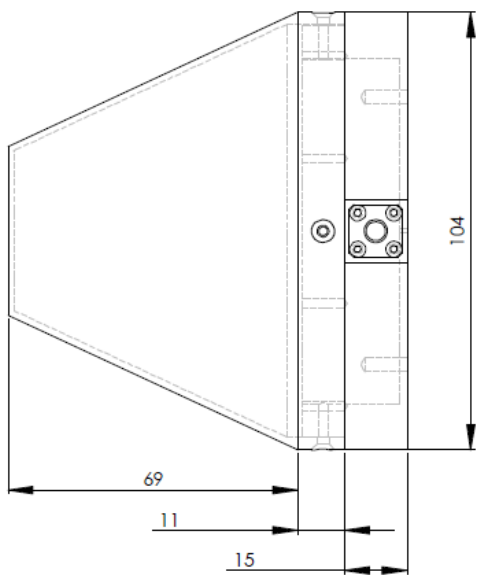
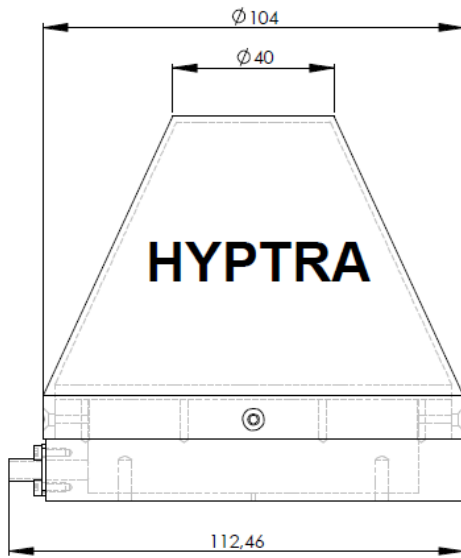
Specifications

RF specification	
Frequency range	2300-2700 MHz
Rated power	20W CW
Gain	3 dBi typ.
Polarization	RHCP or LHCP
Radiation pattern	Omnidirectionnal in Azimut 140° @ -3dB in Elevation
Input impedance	50 Ohms
VSWR	< 1.8:1
Mechanical & Environmental specifications	
Dimensions	Ø104mm x 122mm
Weight	260 g
Connector	SMA female
Temperature	-30°C to +70°C
Protection	IP55 radome

Radiation patterns



Mechanical drawing



HYPTRA
7 Route de Basly
14400 Tailleville
Téléphone : 02 50 30 80 14
Email: Hyptra@hyptra.com