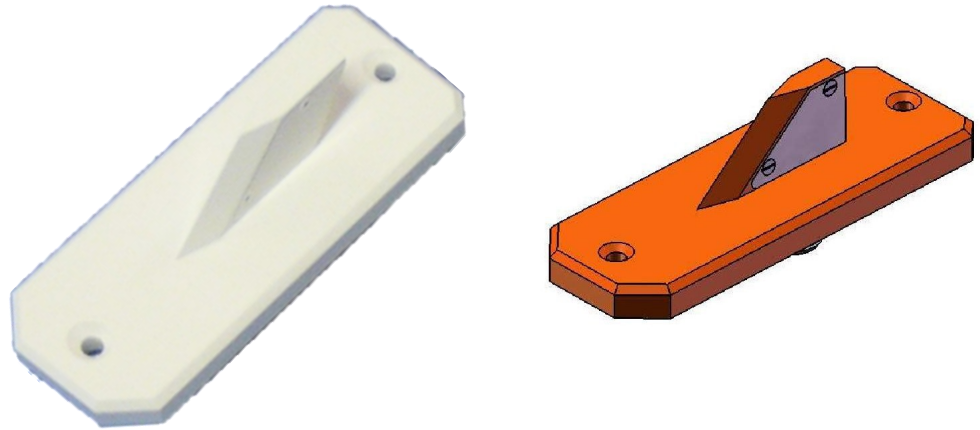


NE0058-A-0

S Band airborne antenna

Linear Vertical

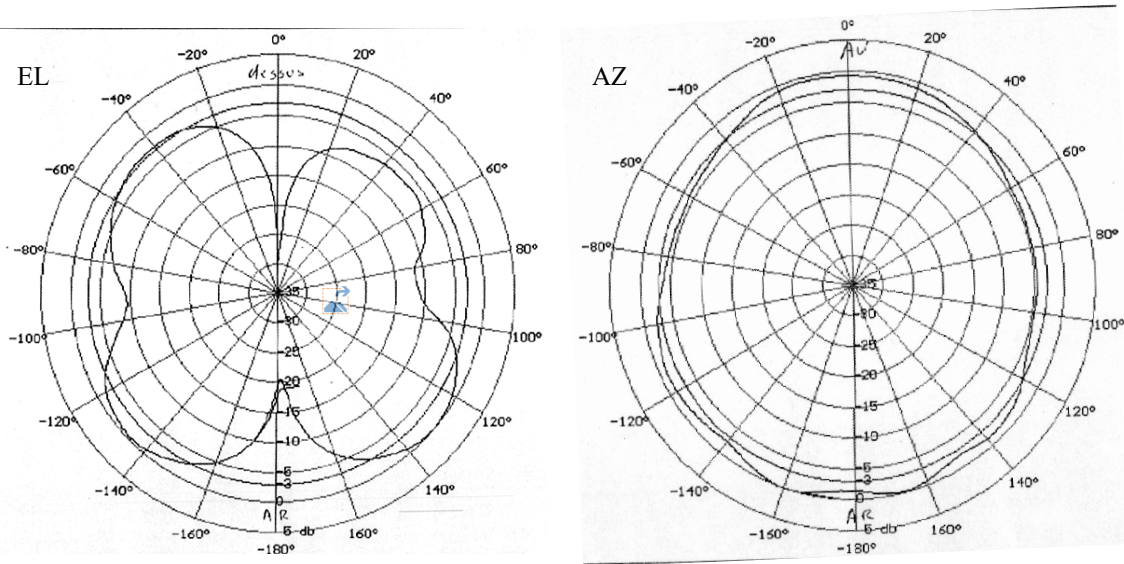


This antenna operating in S frequency band has been designed for working in linear polarization, for telemetry applications with special conditions of flight and high temperature. This antenna is in operation on board AIRBUS aircrafts.

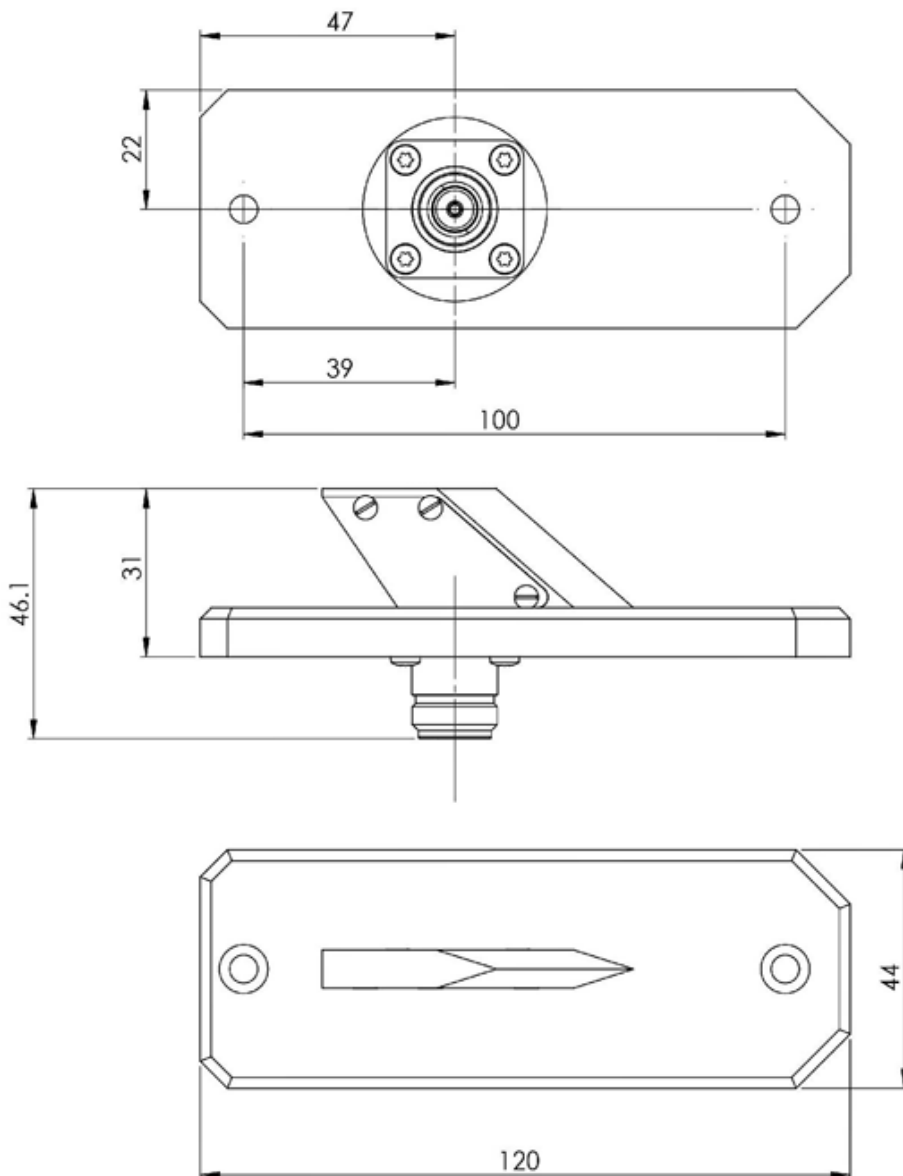
Specifications

RF Specifications	
Frequency Range	2300 MHz +/- 150 MHz
Rated Power	50W CW
Polarization	Linear Vertical
Radiation pattern	Omni-directional in Azimuth
Input Impedance	50 Ohms
VSWR	< 1.8:1
Mechanical & Environmental Specifications	
Dimensions	L: 120mm, W: 44mm, H: 31mm
Weight	150 gr
Connector	N Female
Temperature	-55°C to +100°C
Altitude	0 to 50000 ft (15000 m)
Lengthwise speed	400 Kts

Radiation pattern



Mechanical drawing



HYPTRA

7 Route de Basly
14400 Tailleville

Téléphone : 02 50 30 80 14
Email: Hyptra@hyptra.com