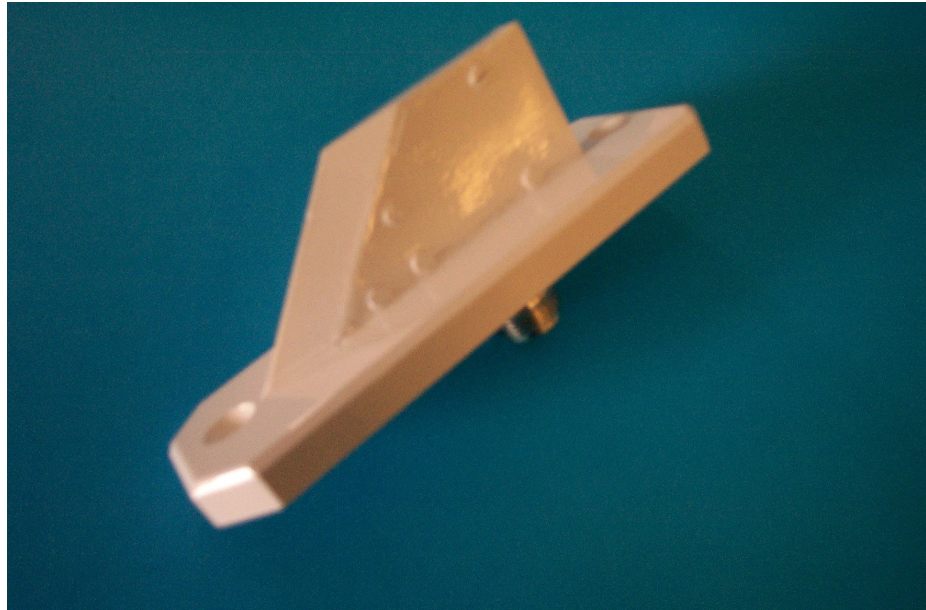


NE0058-B-0

L Band airborne antenna

Lineare Vertical

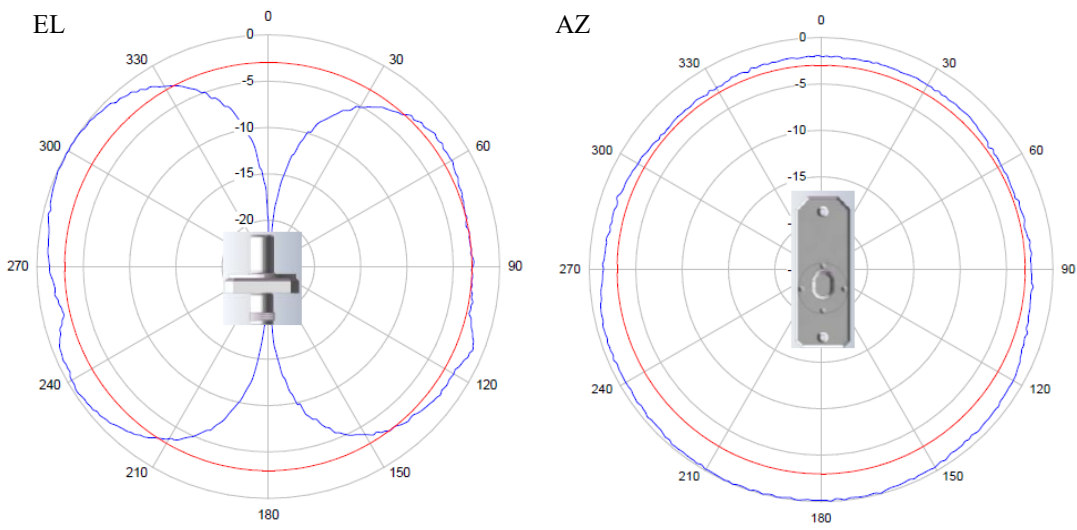


This antenna operating in L frequency band has been designed for working in linear polarization, for telemetry applications with special conditions of flight and high temperature.

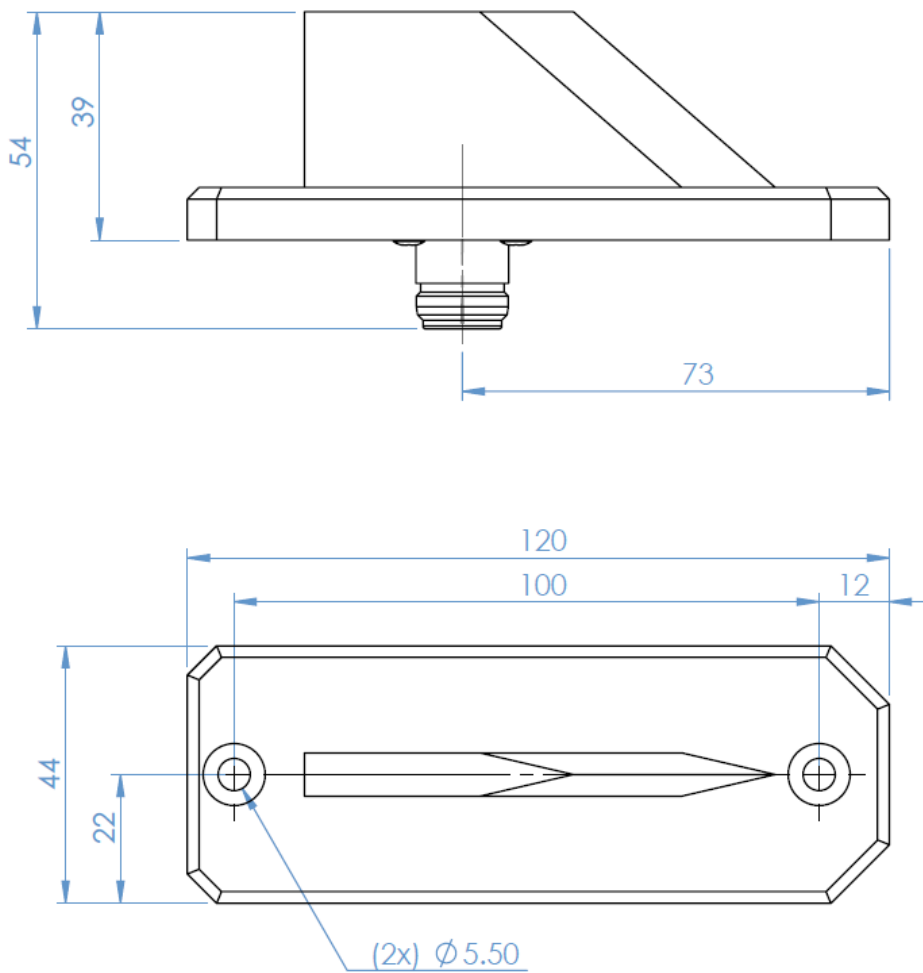
Specifications

RF Specifications	
Frequency Range	1500MHz +/- 150 MHz
Rated Power	50W CW
Polarization	Linear Vertical
Radiation Pattern	Omni-directionnal in Azimut
Input Impedance	50 Ohms
VSWR	< 2:1 (1.5:1 typ.)
Mechanical & Environmental Specifications	
Dimensions	L: 120mm, W: 44mm, H: 39mm
Weight	250 gr
Connector	N female
Temperature	-55°C to +100°C
Altitude	0 à 50000 ft (15000 m)
Lengthwise speed	400 Kts

Radiation Pattern



Mechanical drawing



HYPTRA

7 Route de Basly
14400 Tailleville

Phone : 02 50 30 80 14
Email: Hyptra@hyptra.com