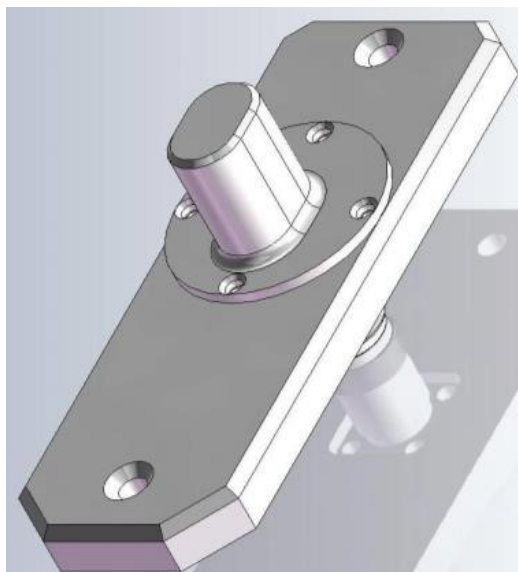


Airborne Antenna NE0058-E-0 S+C Band Linear Vertical

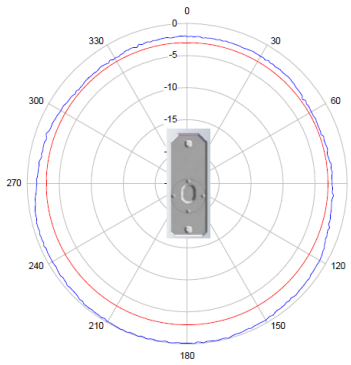


This antenna operating in S&C frequency bands has been designed for working in linear polarization, for telemetry applications with special conditions of flight and high temperature. This antenna is in operation on board AIRBUS aircrafts.

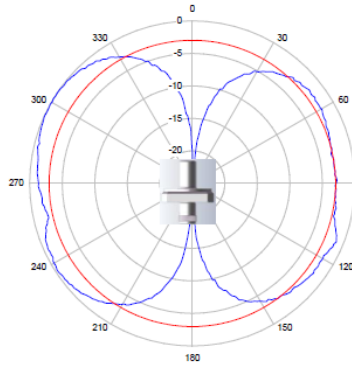
Specifications

RF Specifications	
Frequency Range	2725 MHz +/- 25 MHz & 5170 MHz +/- 80 MHz
Rated Power	50W CW
Polarization	Linear Vertical
Radiation Pattern	Omni-directional in Azimut
Impedance	50 Ohms
VSWR	< 1.5:1
Mechanical & Environmental Specifications	
Dimensions	L: 120mm, W: 44mm, H: 34mm
Weight	300 gr
Connector	N Female
Temperature	-55°C to +85°C
Altitude	0 to 50000 ft (15000 m)
Lengthwise speed	400 Kts

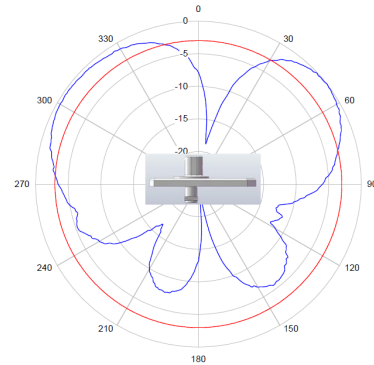
Radiation Patterns



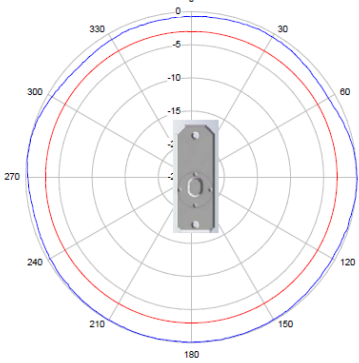
Bande S @ 2725MHz



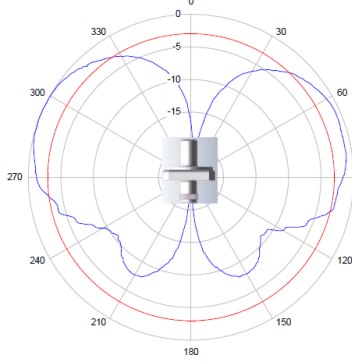
Bande S @ 2725MHz



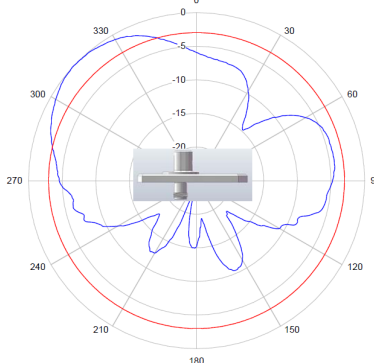
Bande S @ 2725MHz



Bande C @ 5170MHz

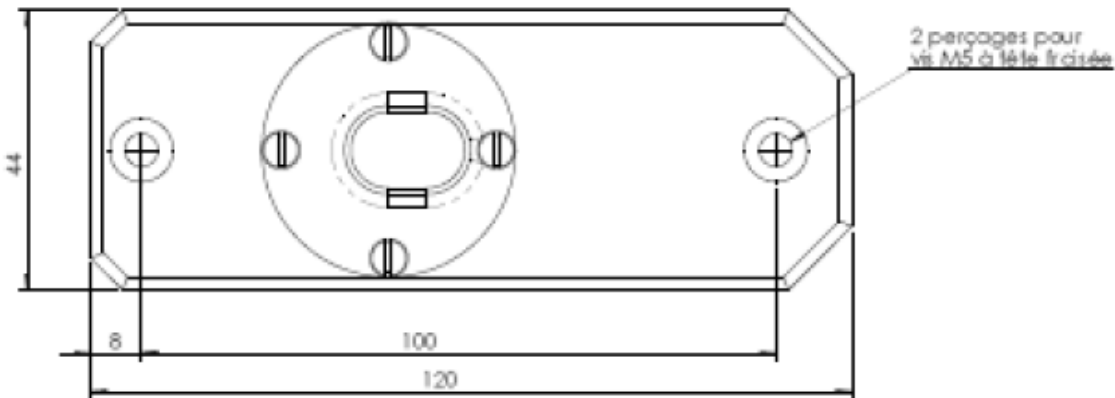
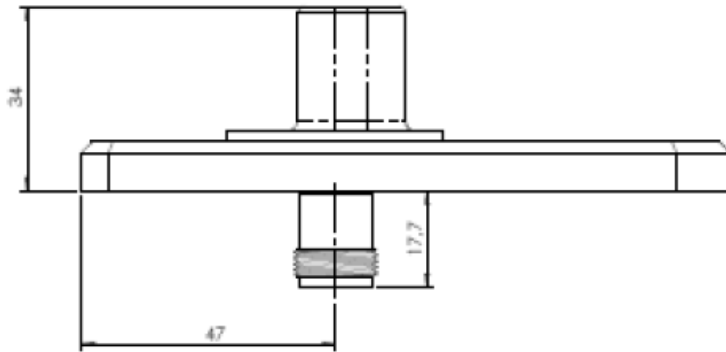


Bande C @ 5170MHz



Bande C @ 5170MHz

Mechanical drawing



HYPTRA

7 Route de Basly
14400 Tailleville

Téléphone : 02 50 30 80 14
Email: Hyptra@hyptra.com