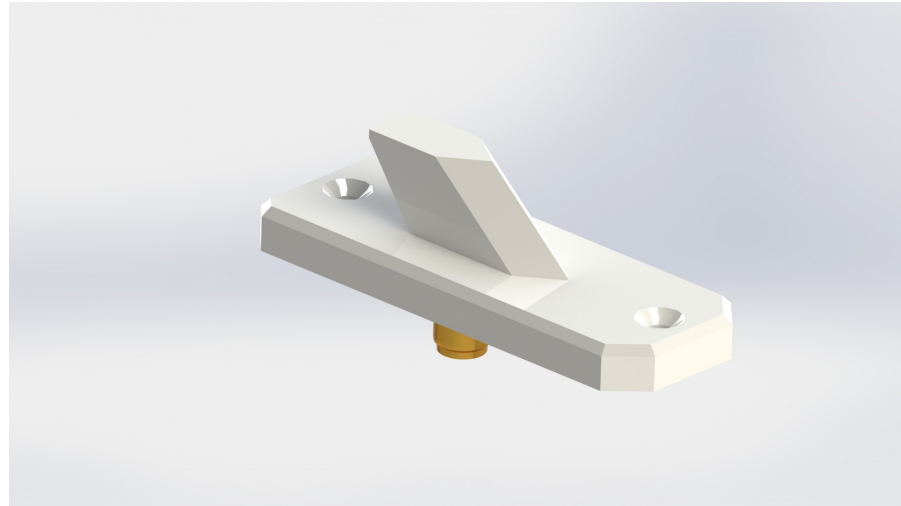


Airborne Antenna NE0058-H-0 C Band Linear Vertical

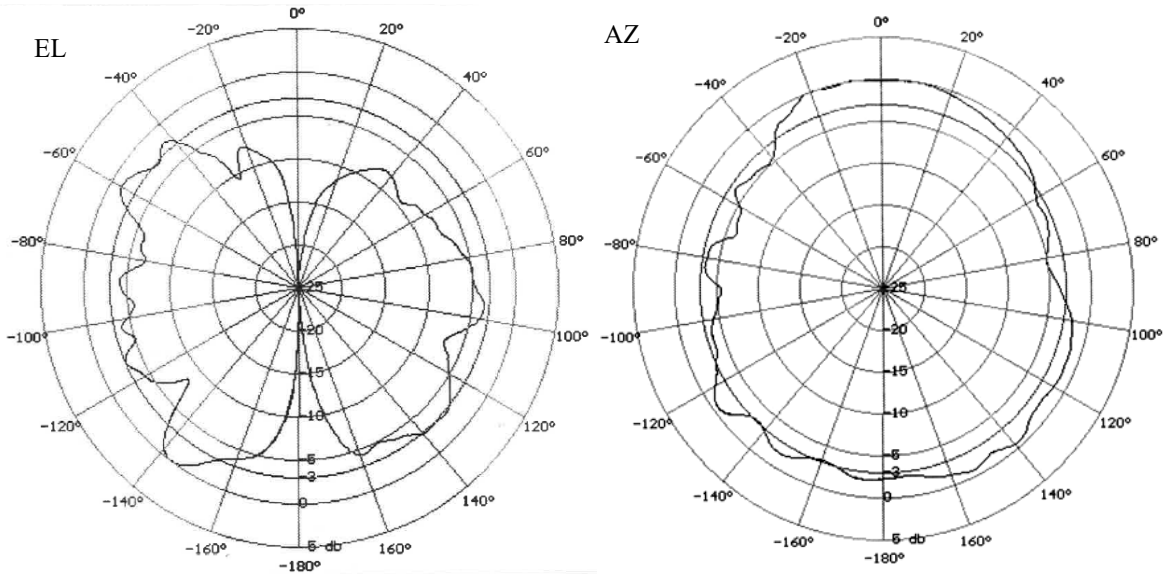


This antenna operating in S frequency band has been designed for working in linear polarization, for telemetry applications with special conditions of flight and high temperature.

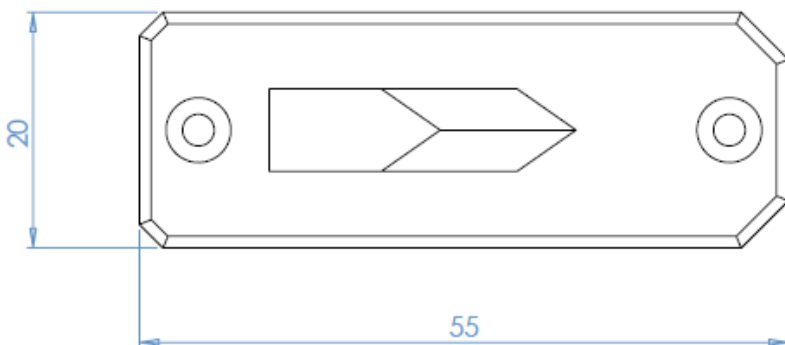
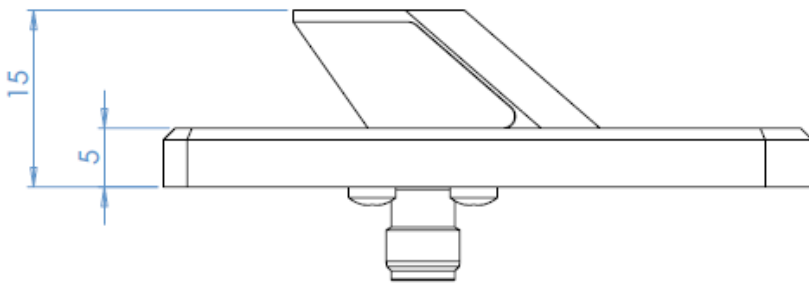
Specifications

RF Specifications	
Frequency Range	5170MHz +/- 80 MHz
Rated Power	50W CW
Polarization	Linear Vertical
Radiation Pattern	Omni-directional in Azimuth
Impedance	50 Ohms
VSWR	< 1.8:1
Mechanical & Environmental Specifications	
Dimensions	L: 55mm, W: 20mm, H: 15mm
Weight	93 gr
Connector	SMA
Temperature	-55°C to +100°C
Altitude	0 to 50000 ft (15000 m)
Lengthwise Speed	400 Kts

Radiation Pattern



Mechanical drawing



HYPTRA

7 Route de Basly
14400 Tailleville

Phone : 02 50 30 80 14
Email: Hyptra@hyptra.com