

Airborne Antenna NE0059-A-A S Band Linear Horizontal

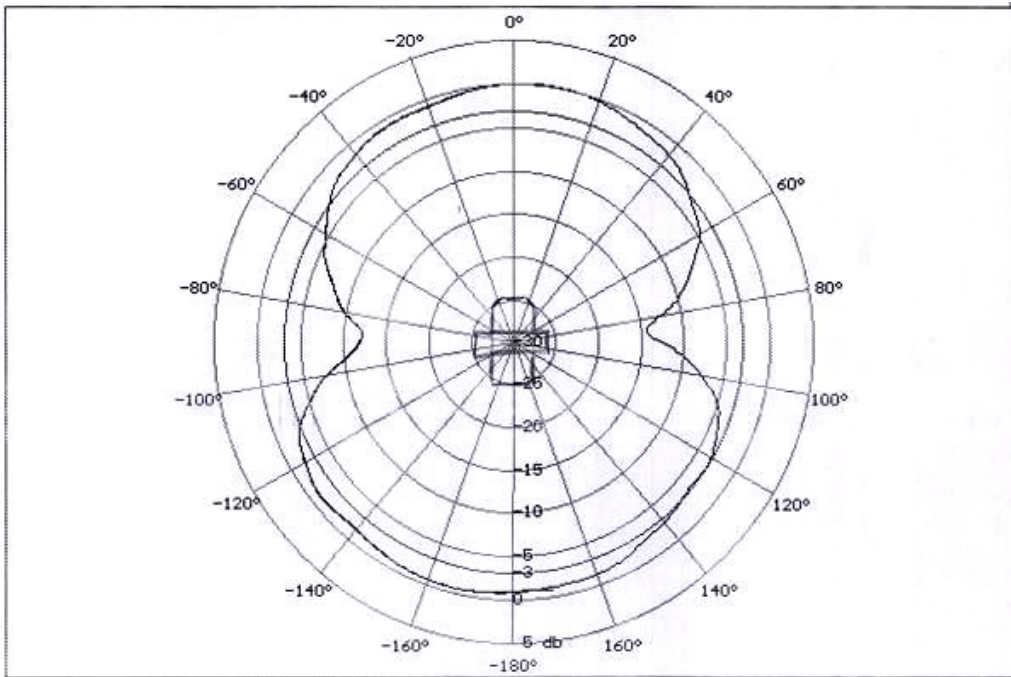


This antenna operating in S frequency band has been designed for working in horizontal polarization, for telemetry applications with special conditions of flight and high temperature. This antenna replaces the 2 blade antennas usually installed on the aircraft drift. This antenna is in operation on board AIRBUS aircrafts.

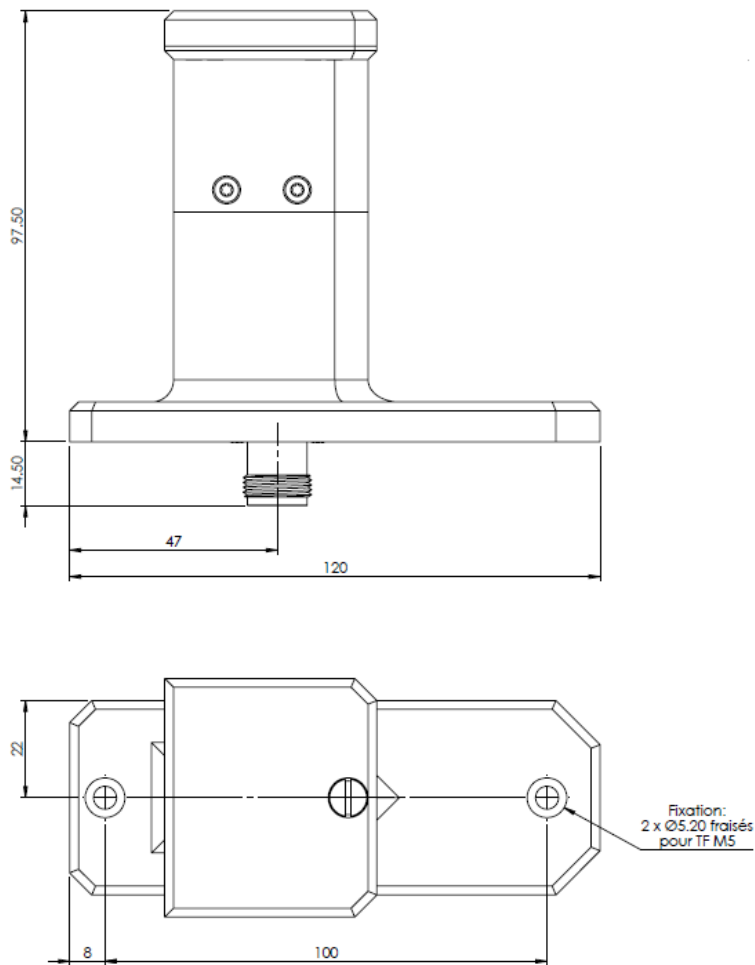
Specifications

RF Specifications	
Frequency Range	2300 MHz +/- 100 MHz
Rated Power	50W CW
Polarization	Linear Horizontal
Radiation Pattern	Omni-directional in Elevation
Impedance	50 Ohms
VSWR	< 1.8:1
Mechanical & Environmental Specifications	
Dimensions	L: 120mm, W: 48mm, H: 98mm
Weight	350 grammes
Connector	N Female
Temperature	-55°C to +100°C
Altitude	0 to 50000 ft (15000 m)
Lengthwise Speed	400 Kts

Azimuth Pattern



Mechanical drawing



HYPTRA

7 Route de Basly
14400 Tailleville

Phone : 02 50 30 80 14
Email: Hyptra@hyptra.com