

# Airborne Antenna NE0059-B-0 L Band Linear Horizontal

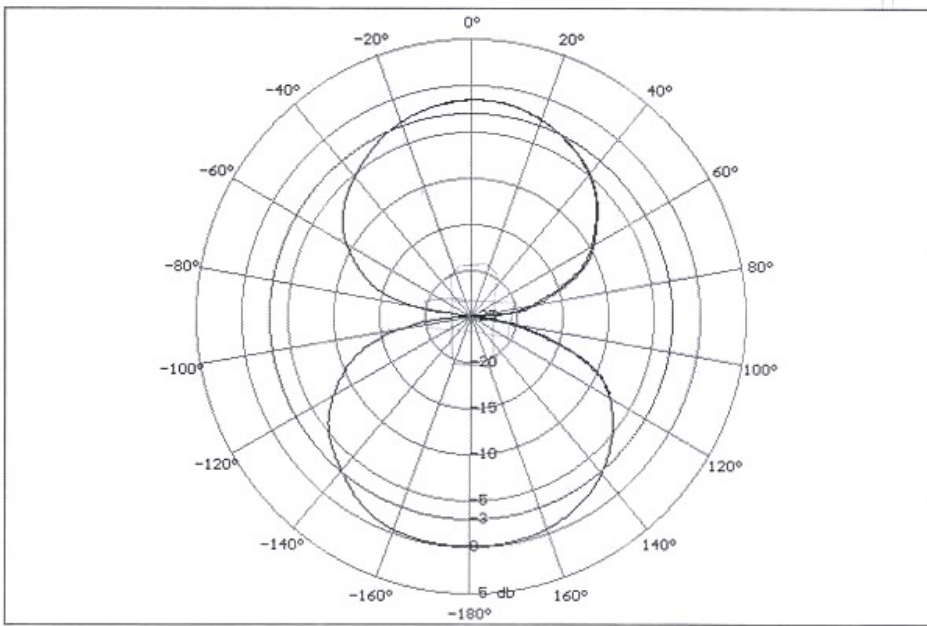


This antenna operating in L frequency band has been designed for working in horizontal polarization, for telemetry applications with special conditions of flight and high temperature. This antenna replaces the 2 blade antennas usually installed on the aircraft drift.

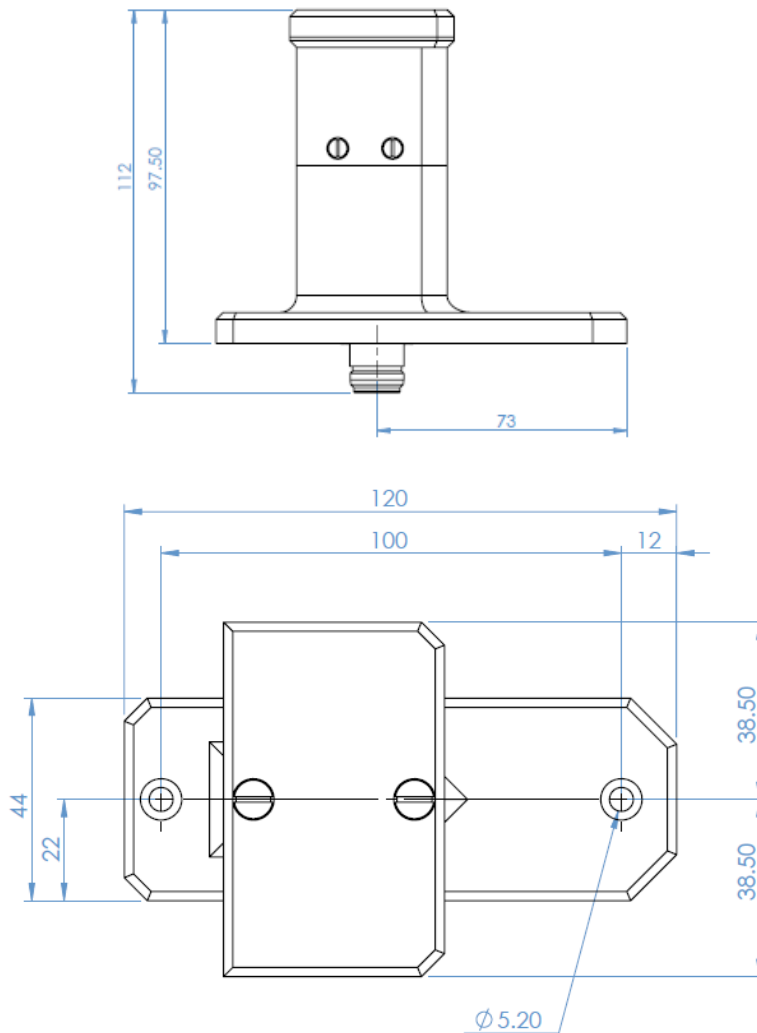
**Specifications**

RF Specifications	
Frequency range	1500 MHz +/- 150 MHz
Rated Power	50W CW
Polarization	Linear horizontal
Radiation Pattern	Omni-directional in Elevation
Impedance	50 Ohms
VSWR	< 1.8:1
Mechanical & Environmental Specifications	
Dimensions	L: 120mm, W: 44mm, H: 98mm
Weight	350 gr
Connector	N female
Temperature	-55°C to +100°C
Altitude	0 to 50000 ft (15000 m)
Lengthwise speed	400 Kts

## Azimuth Pattern



## Mechanical drawing



**HYPTRA**

7 Route de Basly  
14400 Tailleville

Phone : 02 50 30 80 14  
Email: Hyptra@hyptra.com