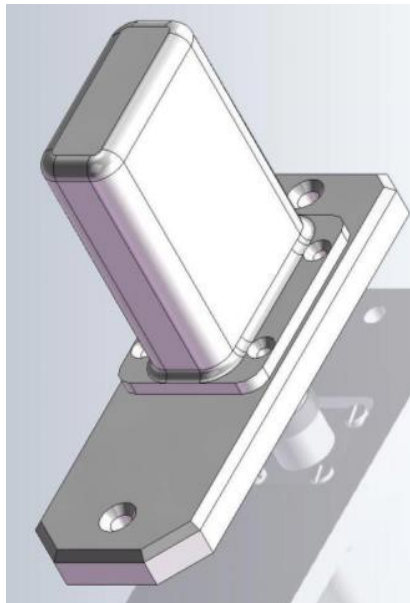


Airborne Antenna NE0059-F-0 S+C Band Linear Horizontal

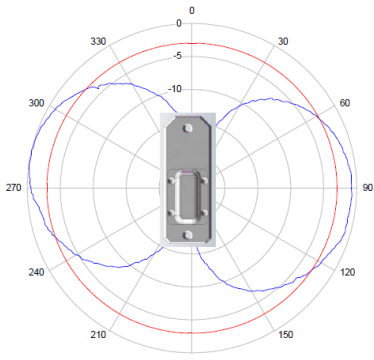


This antenna operating in C frequency band has been designed for working in horizontal polarization, for telemetry applications with special conditions of flight and high temperature. This antenna replaces the 2 blade antennas usually installed on the aircraft drift. This antenna is in operation on board AIRBUS aircrafts.

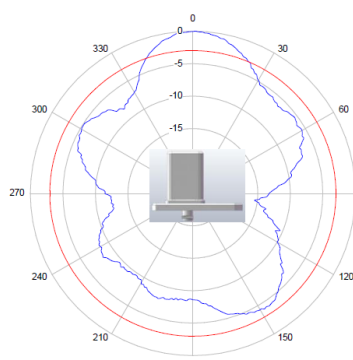
Specifications

RF Specifications	
Frequency Range	2725 MHz +/- 25 MHz & 5170 MHz +/- 80 MHz
Rated Power	50W CW
Polarization	Linear horizontal
Radiation Pattern	Omni-directional in Elevation
Impedance	50 Ohms
VSWR	< 2:1 S Band < 1.5:1 C Band
Mechanical & Environmental Specifications	
Dimensions	L: 120mm, W: 44mm, H: 77mm
Weight	500 gr
Connector	N Female
Temperature	-55°C to +85°C
Altitude	0 to 50000 ft (15000 m)
Lengthwise speed	400 Kts

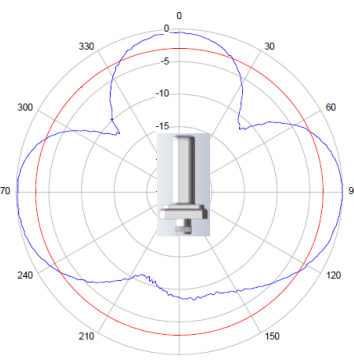
Radiation Pattern



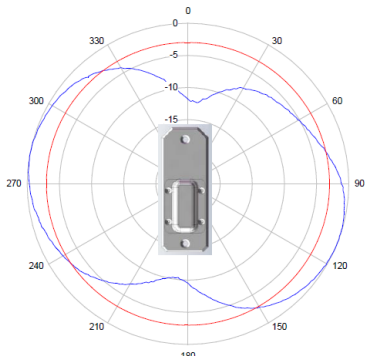
Bande S @ 2725MHz



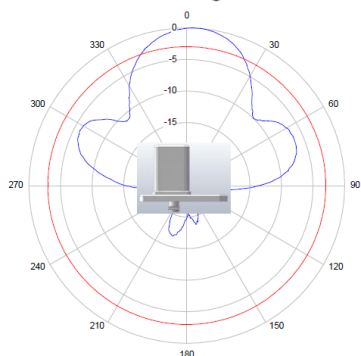
Bande S @ 2725MHz



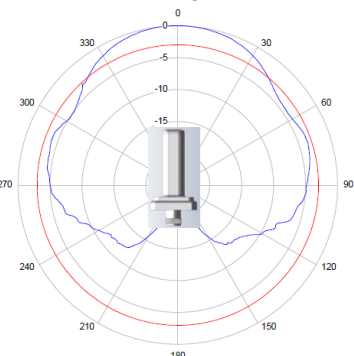
Bande S @ 2725MHz



Bande C @ 5170MHz

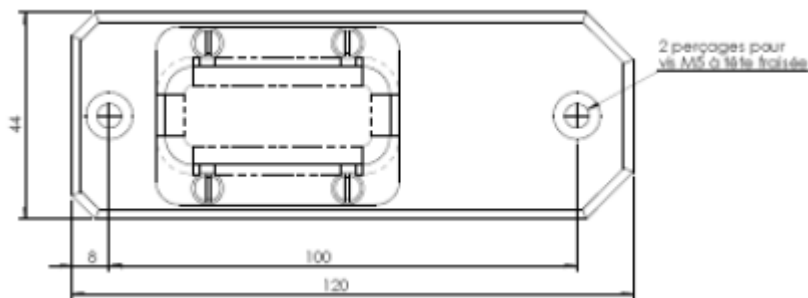
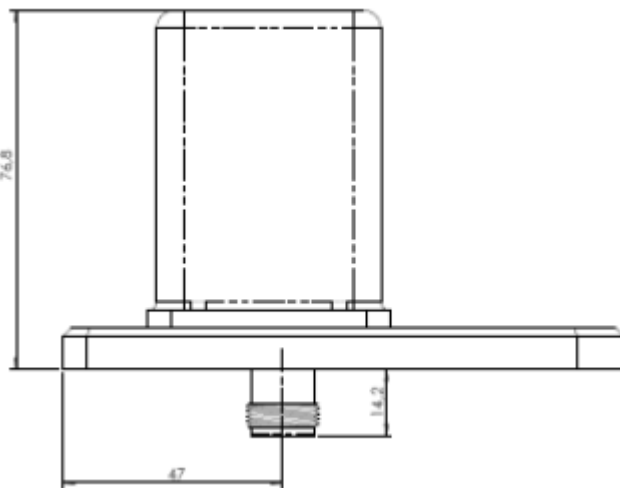


Bande C @ 5170MHz



Bande C @ 5170MHz

Mechanical Drawing



HYPTRA

7 Route de Basly
14400 Tailleville

Téléphone : 02 50 30 80 14
Email: Hyptra@hyptra.com