

Airborne Antenna NE0059-G-0 C Band Linear Horizontal

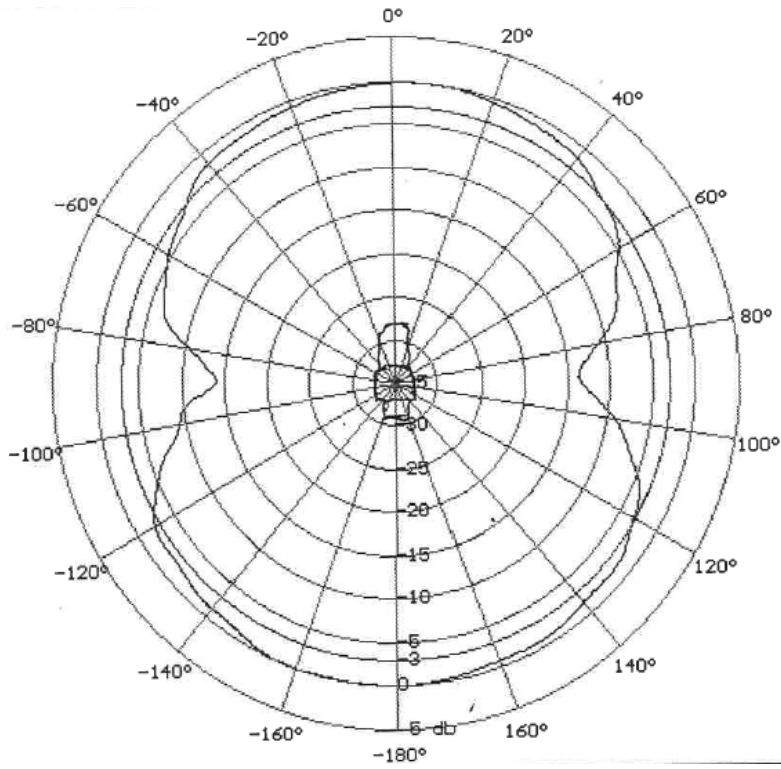


This antenna operating in C frequency band has been designed for working in horizontal polarization, for telemetry applications with special conditions of flight and high temperature. This antenna replaces the 2 blade antennas usually installed on the aircraft drift.

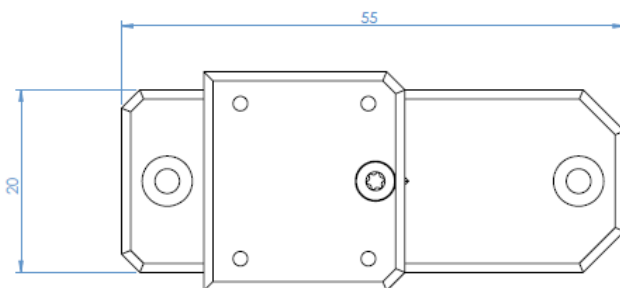
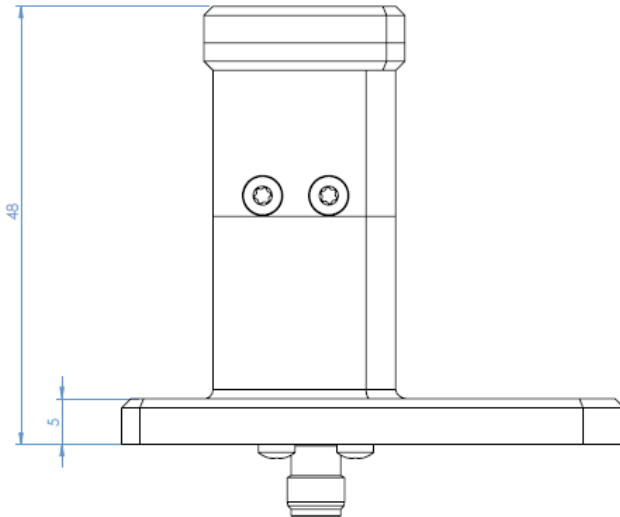
Specifications

RF Specifications	
Frequency Band	5170 MHz +/- 160MHz
Rated Power	50W CW
Polarization	Linear Horizontal
Radiation Pattern	Omni-directional in Elevation
Impédance	50 Ohms
VSWR	< 1.8:1
Mechanical & Environmental Specifications	
Dimensions	L: 55mm, W: 20mm, H: 48mm
Weight	215 gr
Connector	SMA
Temperature	-55°C to +100°C
Altitude	0 to 50000 ft (15000 m)
Lengthwise Speed	400 Kts

Azimuth Pattern



Mechanical Drawing



HYPTRA

7 Route de Basly
14400 Tailleville

Phone : 02 50 30 80 14
Email: Hyptra@hyptra.com