

NE0072-0-0

4.4-5.0 GHz Antenna

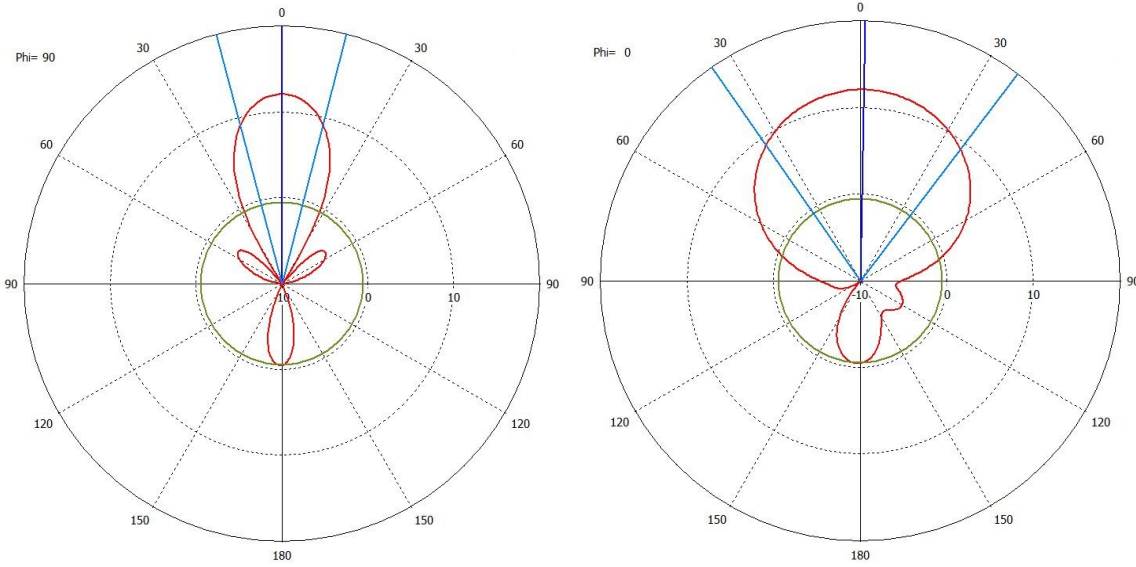
Linear H & V



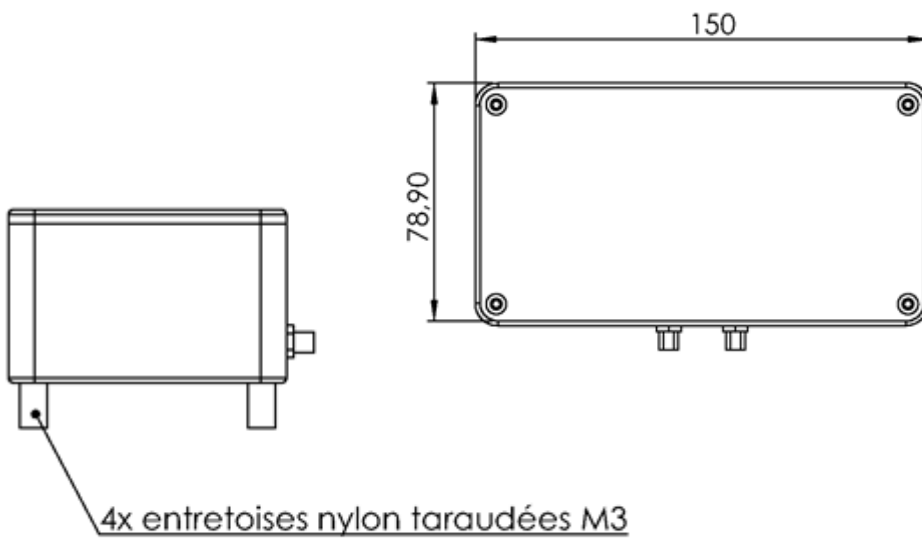
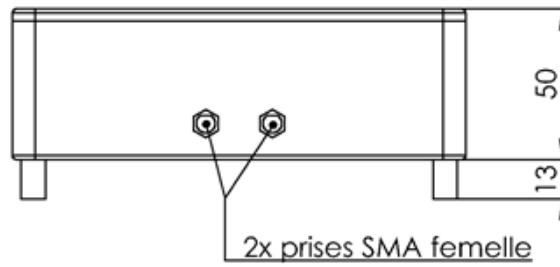
Specifications

RF specification	
Frequency range	4.4-5.0 GHz
Rated power	10W CW
Gain	10 dBi typ.
Polarization	RHCP or LHCP
Radiation pattern	>25° @ -3dB in Azimut >70° @ -3dB in Elevation
Input impedance	50 Ohms
VSWR	< 2:1
Mechanical & Environmental specifications	
Dimensions	150mm x 79mm x 50mm
Weight	< 500 g
Connector	2 N female
Temperature	-20°C to +65°C
Protection	IP53

Radiation patterns



Mechanical drawing



HYPTRA

7 Route de Basly
14400 Tailleville

Téléphone : 02 50 30 80 14
Email: Hyptra@hyptra.com