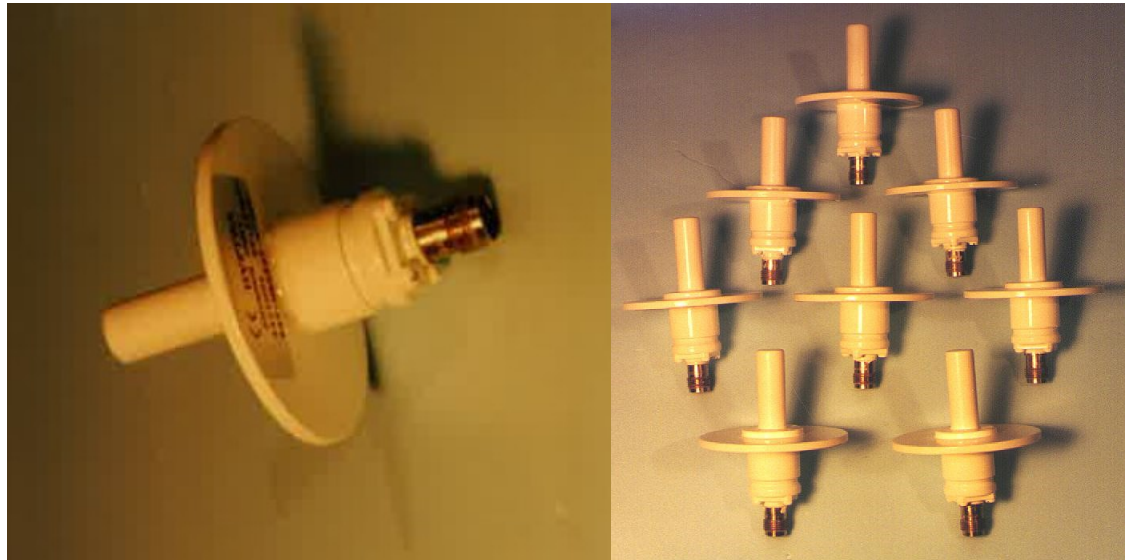


NE0623-X 2250-2550 MHz Antenna Omnidirectional



References:

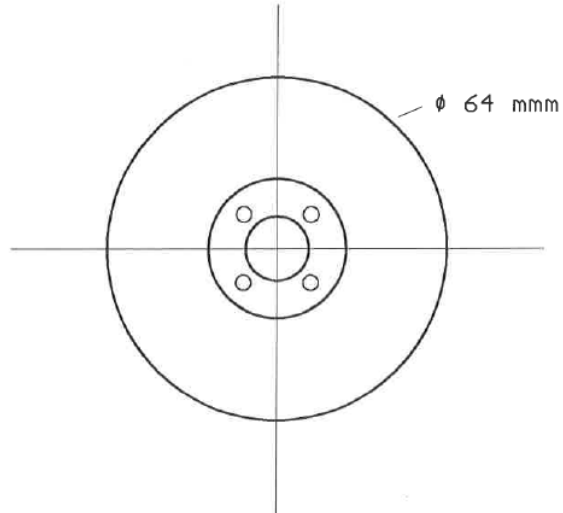
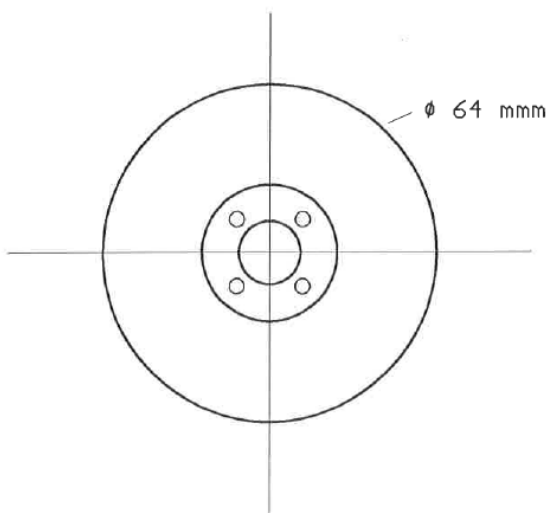
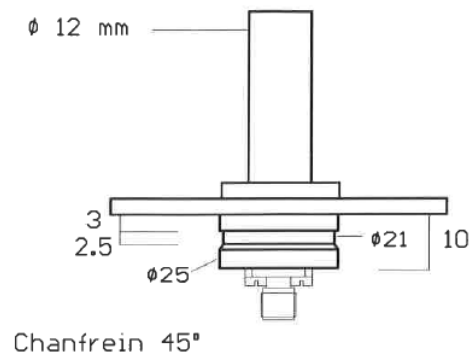
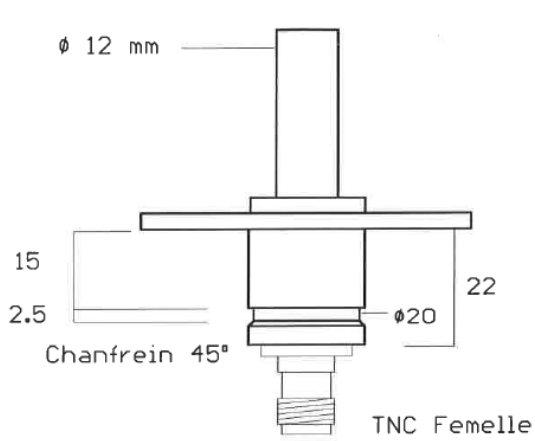
NE0623-0-0: TNC female connector

NE0623-A-0: SMA female connector

Specifications

RF specification	
Frequency range	2250-2550 MHz
Rated power	100W CW
Gain	3 dBi typ.
Polarization	Linear vertical
Radiation pattern	Omnidirectionnal in Azimut 50° @ -3dB in Elevation
Input impedance	50 Ohms
VSWR	< 2:1
Mechanical & Environmental specifications	
Dimensions	Ø65mm x 60mm
Weight	< 100 g
Connector	TNC female / SMA female
Temperature	-20°C to +65°C
Protection	Treatment and painting

Mechanical drawing



HYPTRA

7 Route de Basly
14400 Tailleville

Téléphone : 02 50 30 80 14
Email: Hyptra@hyptra.com