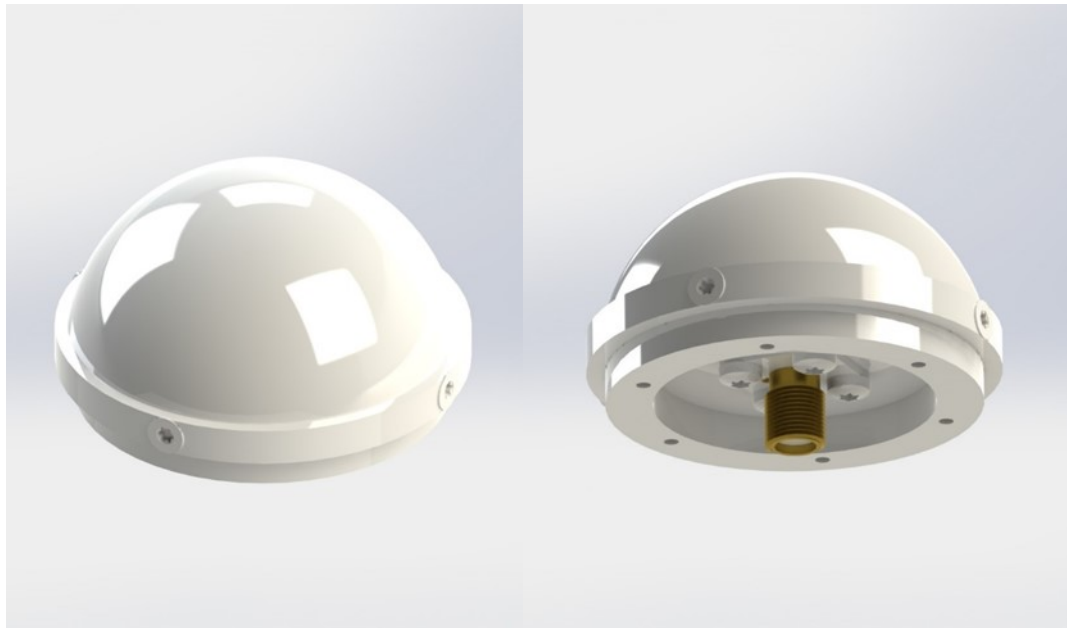


NE0624-D-0

14.4-15.35 GHz Antenna

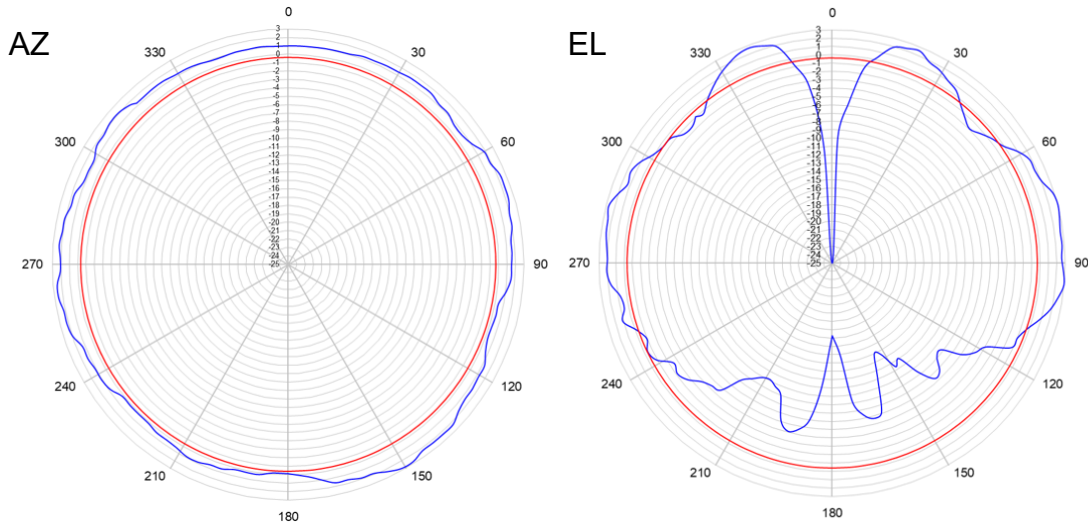
Omnidirectional



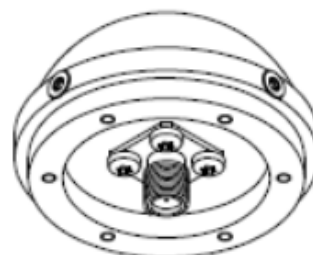
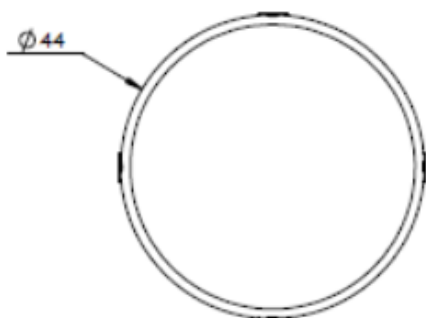
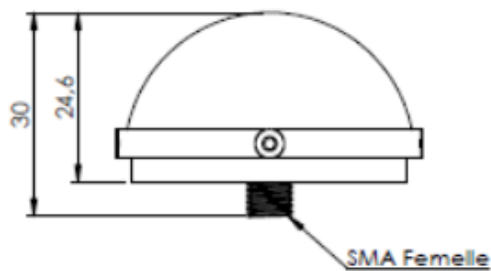
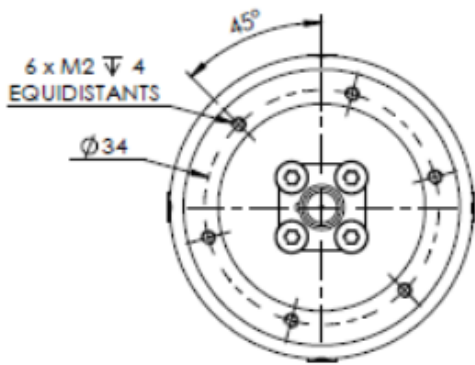
Specifications

RF specification	
Frequency range	14.4-15.35 GHz
Rated power	50W CW
Gain	2 dBi typ.
Polarization	Linear vertical
Radiation pattern	Omnidirectional in Azimut >30° @ -3dB in Elevation
Input impedance	50 Ohms
VSWR	< 2:1
Mechanical & Environmental specifications	
Dimensions	Ø40mm x 30mm
Weight	40 g
Connector	SMA female
Temperature	-32°C to +45°C
Protection	IP56

Radiation patterns



Mechanical drawing



HYPTRA

7 Route de Basly
14400 Tailleville

Téléphone : 02 50 30 80 14
Email: Hyptra@hyptra.com