

NE0701-X

2200-2500 MHz Antenna

Omnidirectional

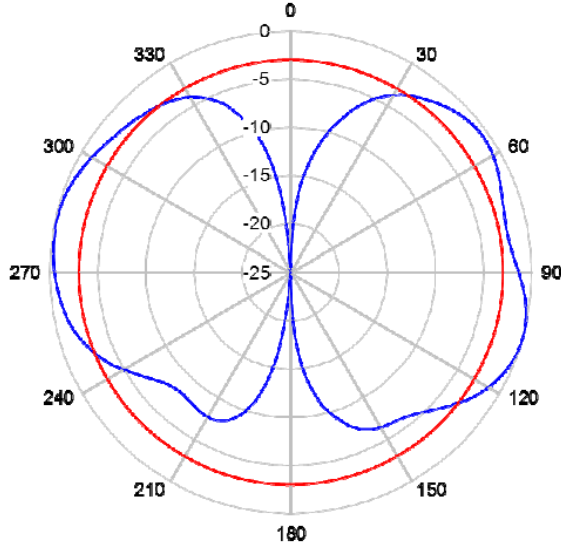
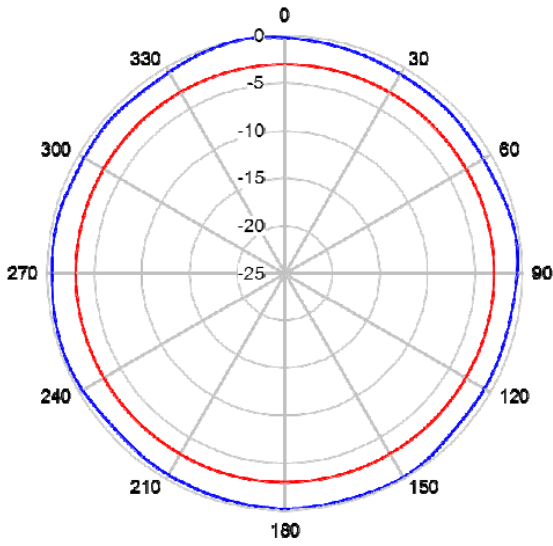


References:
TNC female RHCP: NE0701-0
N female RHCP: NE0701-A
N female LHCP: NE0701-B
TNC female LHCP: NE0701-C

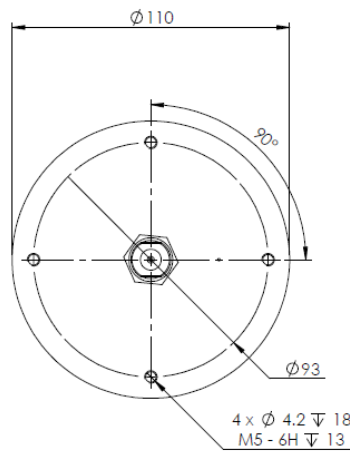
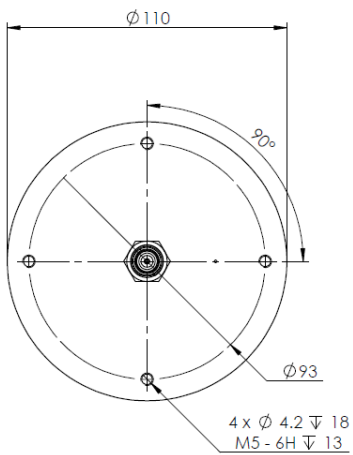
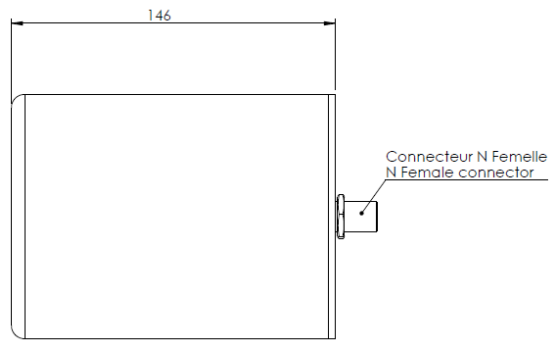
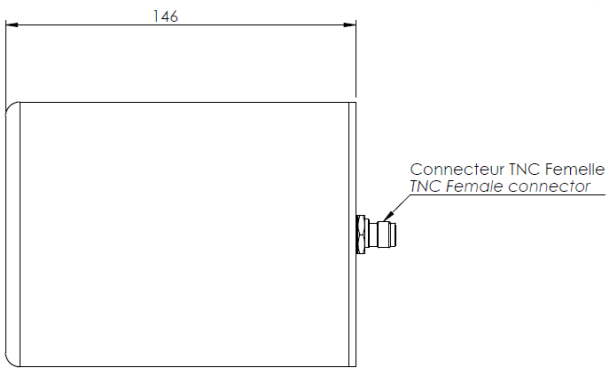
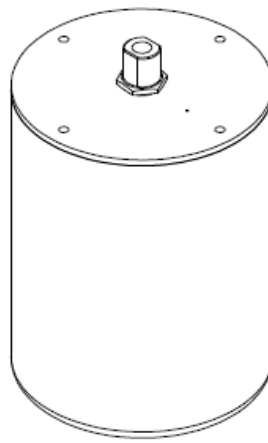
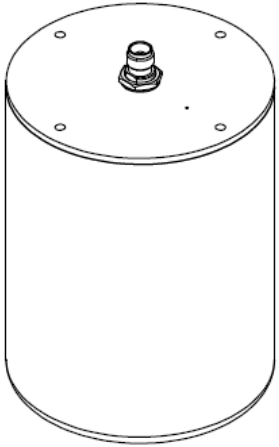
Specifications

RF specification	
Frequency range	2000-2700 MHz
Rated power	1W CW
Gain	>1.5 dBi typ.
Polarization	RHCP or LHCP
Radiation pattern	Omnidirectional in Azimut 50° @ -3dB in Elevation
Input impedance	50 Ohms
VSWR	< 1.5:1
Mechanical & Environmental specifications	
Dimensions	Ø110mm x 146mm
Weight	<800 g
Connector	N female / TNC female
Temperature	-20°C to +55°C
Protection	IP53

Radiation patterns



Mechanical drawing



HYPTRA

7 Route de Basly
14400 Tailleville

Téléphone : 02 50 30 80 14
Email: Hyptra@hyptra.com