

NE0708-X S+L Bands Antenna Omnidirectional



References:

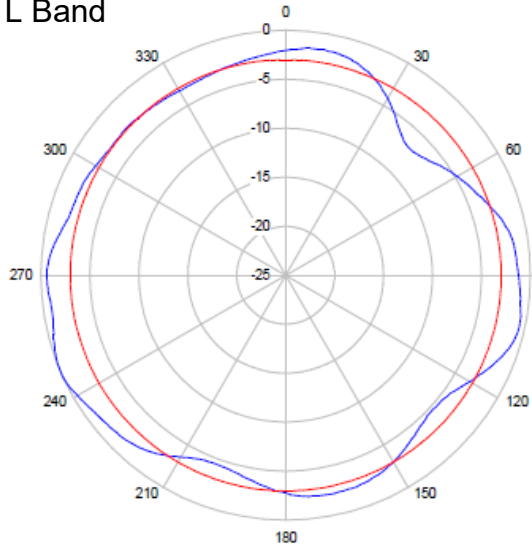
- NE0708-G-0:** RHCP
- NE0708-H-0:** LHCP

Specifications

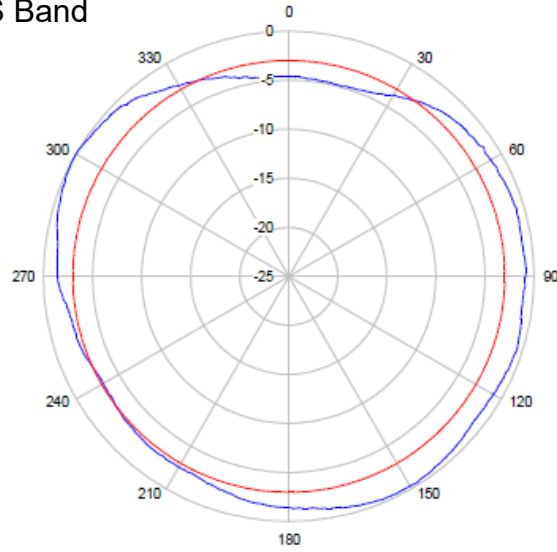
RF specification	
Frequency range	1400-1550 MHz 2150-2550 MHz
Rated power	1W CW
Gain	>1.5 dBi typ.
Polarization	RHCP or LHCP
Radiation pattern	Omnidirectional in Azimut 50° @ -3dB in Elevation
Input impedance	50 Ohms
VSWR	< 2:1
Mechanical & Environmental specifications	
Dimensions	Ø225mm x 600mm
Weight	<7 kg
Connector	N female
Temperature	-20°C to +55°C
Protection	IP53

Radiation patterns

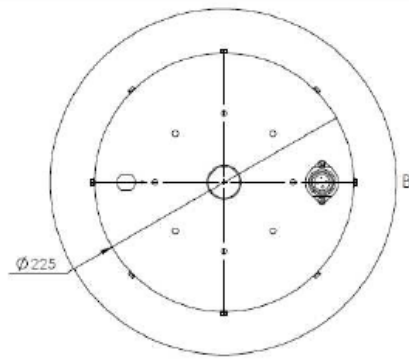
L Band



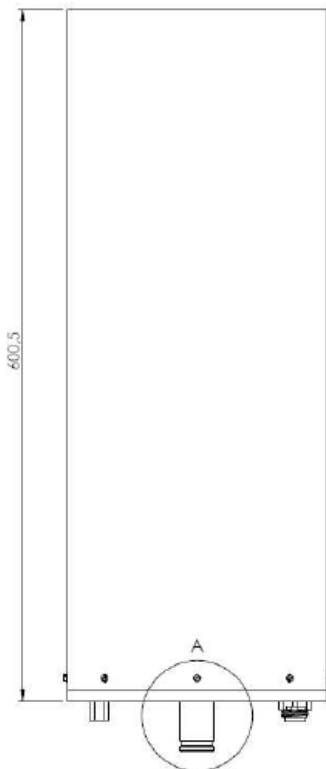
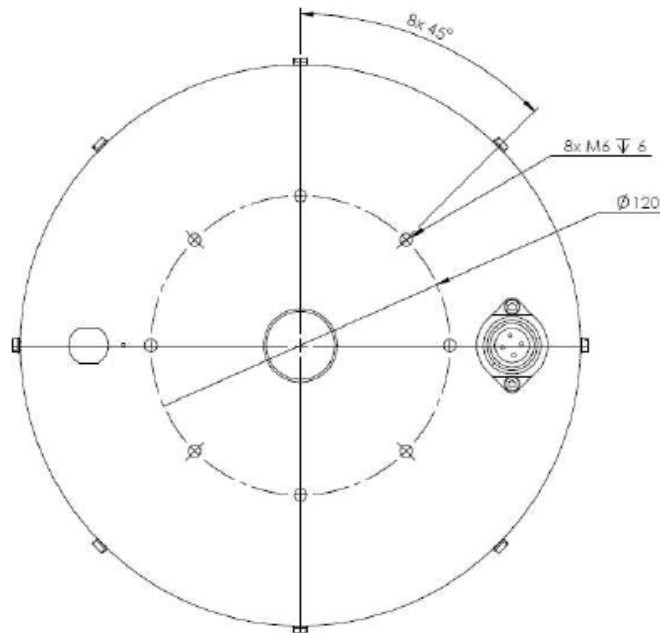
S Band



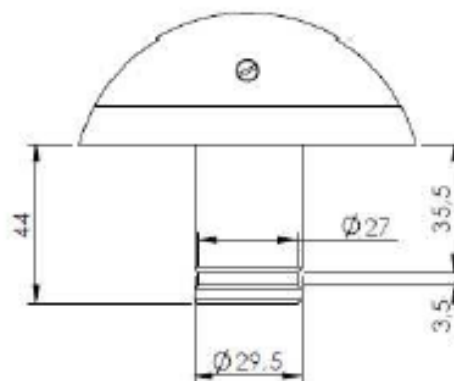
Mechanical drawing



DÉTAIL B
1 : 2



DÉTAIL A
1 : 2



HYPTRA

7 Route de Basly
14400 Tailleville

Téléphone : 02 50 30 80 14
Email: Hyptra@hyptra.com