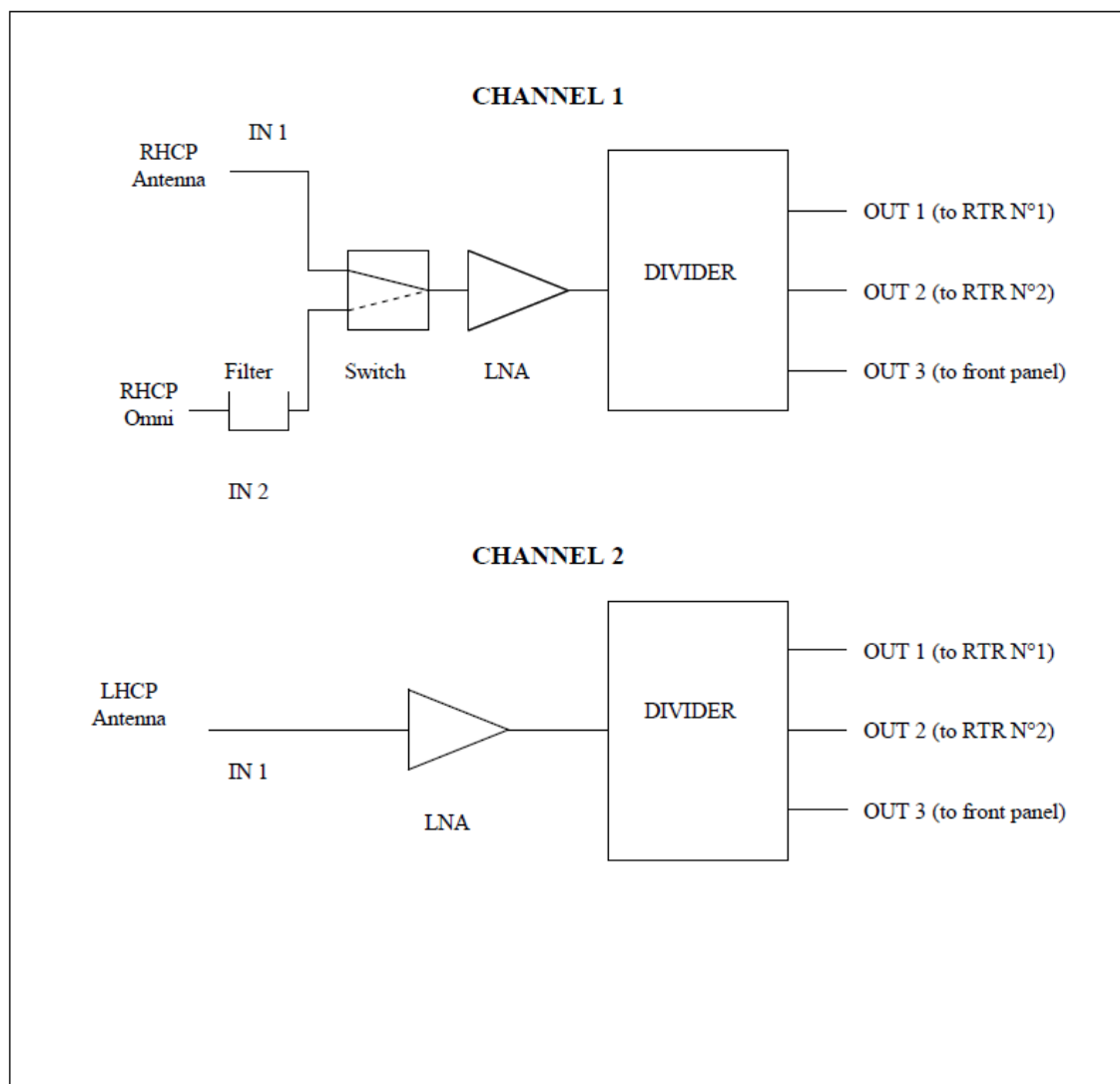


Switching drawer NE9053-B

2 channels/3 inputs/4 outputs



RF specifications	
Frequency	2200-2500 MHz
Number of channel	2
Number of input	2 (channel 1) + 1 (channel 2)
Number of output	2 per channel
Output gain	>18 dB
Input/output impedances	50 Ohms
VSWR	< 2:1
Mechanical and environmental specifications	
Dimensions	Rack 19" / 2U / 350mm
Weight	6.5 kg
Connector	N female
Temperature	-10°C to +65°C



HYPTRA

7 Route de Basly
14400 Tailleville

Téléphone : 02 50 30 80 14
Email: Hyptra@hyptra.com