

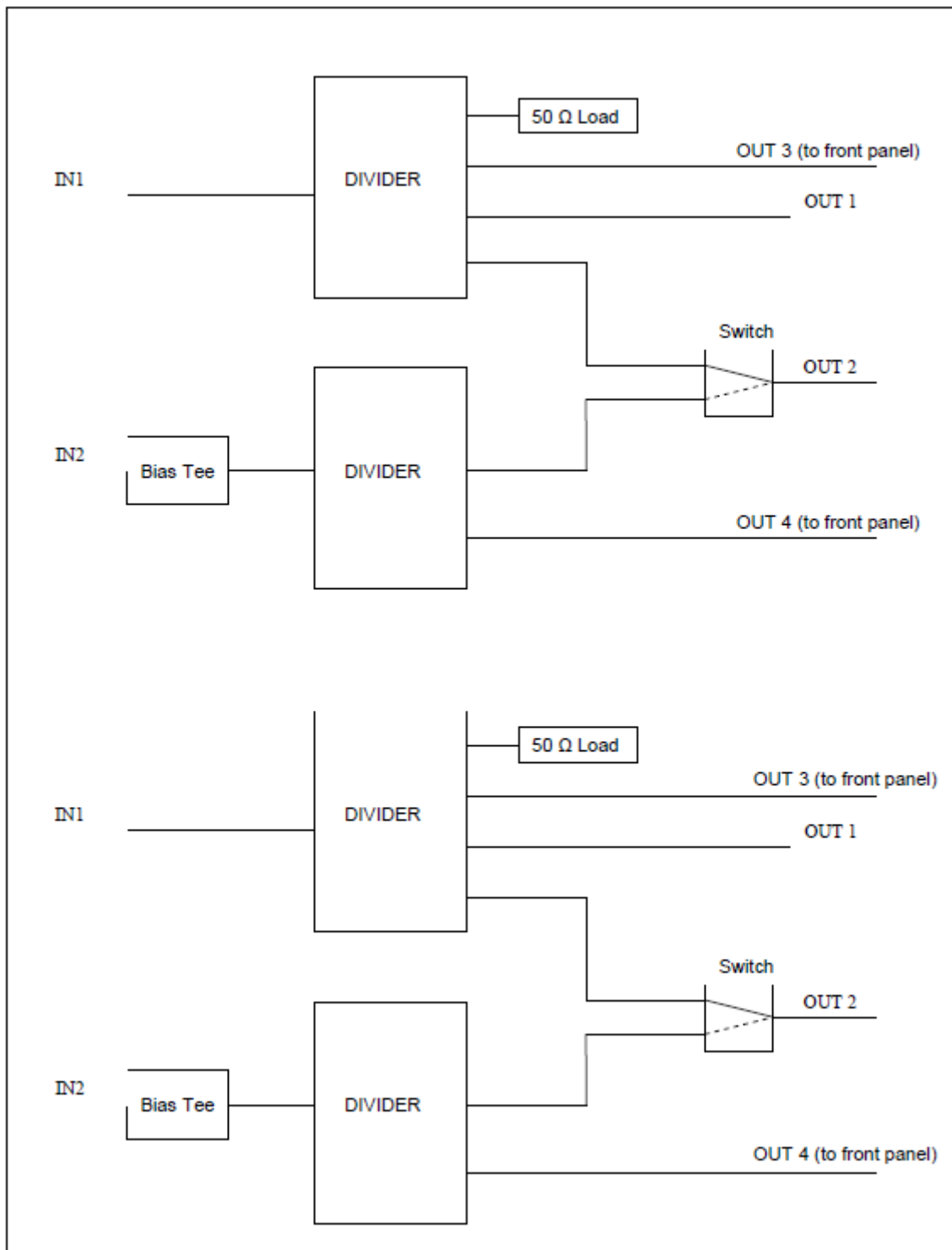
# Switching drawer NE9053-C

## 2 channels/3 inputs/4 outputs



### Specifications

RF specifications	
Frequency	1400-1550 MHz 2150-2550 MHz
Number of channel	2
Number of input per channel	3
Number of output per channel	4
Output gain	>18 dB
Input/ouput impedances	50 Ohms
VSWR	< 2:1
Mechanical and environmental specifications	
Dimensions	Rack 19" / 2U / 350mm
Weight	6.5 kg
Connector	N female
Temperature	-10°C to +65°C



**HYPTRA**

7 Route de Basly  
14400 Tailleville

Téléphone : 02 50 30 80 14  
Email: Hyptra@hyptra.com